

# GARDENERS SUPPLY COMPANY

## Crop Cage 4' x 8'

Protect your berries from birds and pick them in comfort inside our roomy Crop Cage. It's also perfect for protecting vulnerable crops from deer, rabbits and other animals. No-tools assembly.

### Parts List

(1) Net Cover

(12) Long Tube 1

(18) Short Tube 2

(18) Short Tube 3, with spring

(4) 3-Way T-Connector A



(8) 3-Way Corner D



(6) 4-Way Corner Connector E



### Assembly

**Important:** When assembling the frame, make sure to fully seat each Tube into the Connectors and Corners. The Cover will fit snugly when all parts are fully seated.

**Step 1.** Identify and organize all parts on a clean, level surface. **NOTE:** The Corners, Connectors and Tubes are marked with letters or numbers to make assembly easier.

**Step 2.** Connect the Short Tubes 3 with springs to the Short Tubes 2. **NOTE:** The end with the spring will be inside Short Tube 2.

**Step 3.** Form the bottom of the frame by inserting seven of the 2-3 Tubes into four of the 3-Way Corners D and two of the 4-Way Connectors E, as shown in Figure 1. Note the proper positions of the connectors.

**Step 3.** Insert six Long Tubes 1 into the empty sockets of the Corners and Connectors in the bottom of the Frame (Figure 1).

**Step 4.** Place the four 3-Way T-Connectors A and the two 4-Way Corner Connectors E on top of the Long Tubes 1, positioning them as shown in Figure 2. Insert four assembled 2-3 Tubes into the Connectors.

**Step 5.** Insert the remaining Long Tubes 1 into the empty sockets on the A and E Connectors (Figure 3).

**Step 6.** Place the remaining 3-Way Corners D and 4-Way Connectors E on the tops of the Long Tubes 1 as shown in Figure 3. Then insert the remaining 2-3 Tubes to complete the frame.

**Step 7.** Place the Net Cover over the assembled frame. **NOTE:** Line up the doors in the Cover with the open sections of the frame. **Tips:** Unzip one side to make it easier to slip the Net Cover over the frame. The Net Cover can be installed by one person, but it's easier with a second person. Stand inside the frame while adjusting the net and stabilize it by lightly standing on the bottom of the frame. Align the side seams with the upright tubes and the top seams with the top of the frame.

**Step 8.** Tie the Net Cover to the bottom of the frame using the attached ribbons. To keep a door open, unzip and roll the door upward. Use the ribbons at the top of the door to secure it.

### Care and Use

- Install Extra-Tall Earth Staples (sold separately) over the bottom tubes of the frame to anchor it to the ground.
- Remove the Net Cover before expected snow or ice accumulation. The Net Cover is not designed for use in winter conditions.
- When not in use, dry all parts thoroughly, disassemble and store under cover.

Figure 1

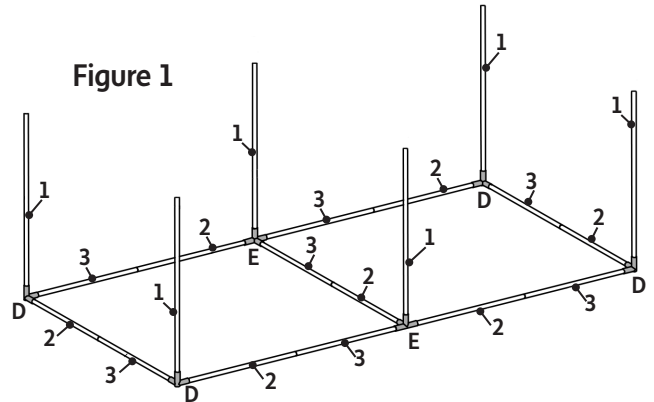


Figure 2

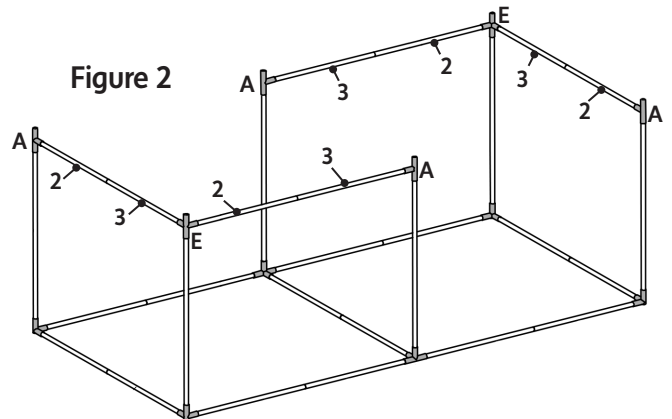


Figure 3

