

# 3 Season Plant Protection Tent, 3' x 6'

**GARDENERS**  
SUPPLY COMPANY

1-800-876-5520 • gardeners.com  
info@gardeners.com

## Parts List

- |                        |                             |
|------------------------|-----------------------------|
| (2) 33½" TUBES 1       | (10) 3-WAY T-CONNECTOR A    |
| (15) 22¾" TUBES 2      | (6) 4-WAY CROSS CONNECTOR C |
| (8) 21" TUBES 3        | (4) 3-WAY CORNER D          |
| (8) 24" CURVED TUBES 4 | (6) BRACKETS WITH SCREWS    |
| (1) GREENHOUSE COVER   |                             |
| (1) INSECT COVER       |                             |

## Assembly

Assembles easily - no tools needed. Be sure to fully seat each TUBE into CONNECTORS and CORNERS. The COVERS will fit snugly when all parts are fully seated.

1. Identify and organize all parts prior to beginning assembly. CORNERS, CONNECTORS and TUBES are marked with their assigned letters and numbers to make assembly easier.
2. Referring to Figure 1, assemble the bottom of the frame using the four 3-WAY CORNERS D, two TUBES 1 and six TUBES 2. Orient all the CORNERS so that the open sockets are facing up after assembly.
3. Insert eight TUBES 3 into the empty sockets of the CORNERS and CONNECTORS in the bottom of the frame (Figure 1).
4. Slide four CONNECTORS A and four CONNECTORS C onto the tops of the TUBES 3, as shown in Figure 2. Insert six Tubes 2 between them.
5. Insert the CURVED TUBES 4 into the openings on the attached CONNECTORS A and C (Figure 3). Insert the remaining CONNECTORS between the CURVED TUBES.
6. Insert the remaining TUBES 2 between the A and C CONNECTORS.
7. Place the 3-Season Protection Tent frame in your Gardener's Supply 3'x6' Raised Bed, and anchor it to the inside of the bed with two brackets on each long end and 1 bracket on each short end (Figure 4). (If installing directly into the garden, we recommend anchoring it with Extra-Tall Earth Staples (sold separately).)
8. Choose a COVER and place it over the frame. **Important:** Unzip **all** zippers on the COVER before fitting it over the assembled frame. Failure to do so will cause the COVER to tear or fit improperly. Tie the COVER to the frame using the attached ribbons.

## Care and Use

- To keep a door open, unzip and roll a door upward. Use the ribbons at the top of the door to secure it.
- When your crops bloom, remove the COVER or roll up the doors to allow access for pollinating insects.
- Remove covers before expected snow or ice accumulation—they cannot withstand winter conditions.
- Dry all parts thoroughly, disassemble and store when not in use.

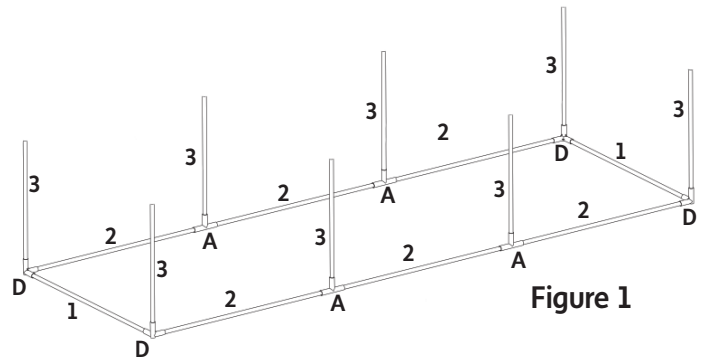


Figure 1

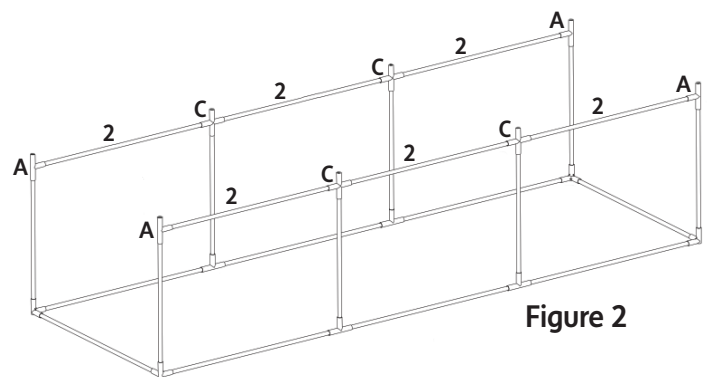


Figure 2

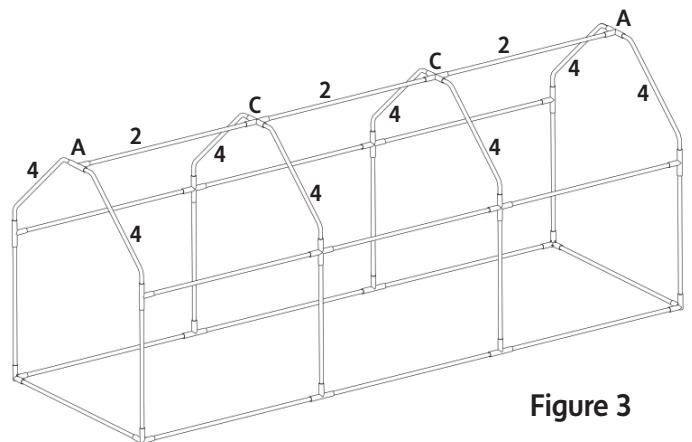


Figure 3

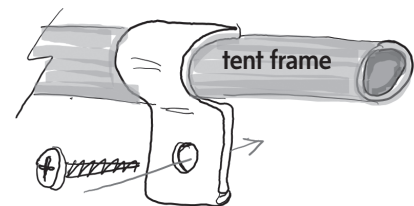


Figure 4

8% of our profits go back to our communities.  
Learn more at [gardeners.com/FORCE-FOR-GOOD](http://gardeners.com/FORCE-FOR-GOOD)

PLEASE  
RECYCLE