

GARDENERS

SUPPLY COMPANY

Baker's Rack Plant Stand

This beautiful plant stand is the perfect way to display your prized plants, both indoors and out. Use it inside to show off your houseplants or bring it outdoors on your deck or patio for an added touch of elegance. The Stand folds flat for easy transport or for storage when it's not in use.

Assembly and Care Instructions

Carefully unfold the Plant Stand. Slide the slots on the sides of the top shelf over the top set of hooks (Figure 1) and lower the bottom shelves so they are resting on the hooks (Figure 2). We recommend having a second person to help line up the shelves.

Each shelf holds up to 20 lbs. evenly distributed. The powder-coated iron is weather-resistant and can be left outdoors year-round. However, if the finish is nicked or scratched, use an exterior-grade metal paint to prevent rust.



Figure 1

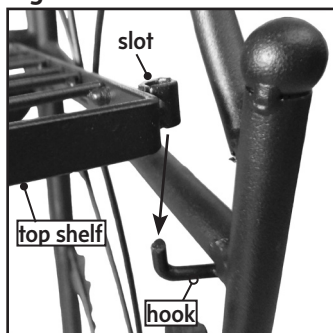
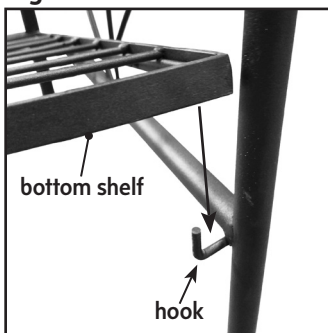


Figure 2



For more nature-inspired products,
please visit us at gardeners.com

Phone Orders: 1-800-427-3363 • Customer Service: 1-800-876-5520
e-mail: info@gardeners.com • Web: www.gardeners.com