

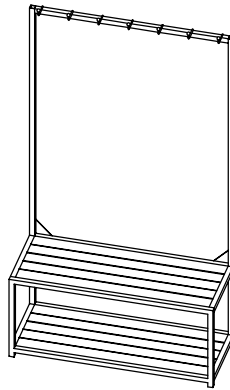


CAROLINA FORGE

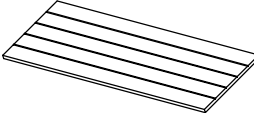
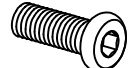
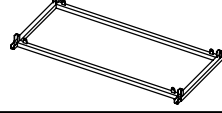

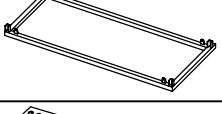

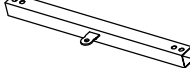
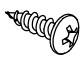


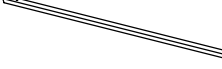
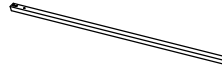


Assembly Instructions

Item # CF4016CHETBK

SONOMA HALL BENCH



Thank you for purchasing a Carolina Forge company product. This product has been designed for easy assembly and is constructed for durability. Please take the time to read and follow the assembly instructions carefully. If a part or hardware is missing or you have any difficulties in assembling this product, please contact us Toll Free 1-800-228-3876.

NO.	PART	DESCRIPTION	Q'TY	NO.	PARTS	DESCRIPTION	Q'TY
A		Wood Panel	2PCS	J		Allen Head Bolt 1/4" x 5/8"	34PCS
B		Back Frame	1PC	K		Spring Washer Ø10	34PCS
C		Front Frame	1PC	L		Flat Washer Ø12*T1.0	50PCS
D		Side Stretcher	4PCS	M		Allen Head Bolt ST4.0*12	16PCS
E		Middle Stretcher	2PCS	N		Allen Head Wrench 4MM	1PC
F		Left Post	1PC				
G		Right Post	1PC				
H		Top Rail	1PC				
I		Metal Bracket	2PCS				



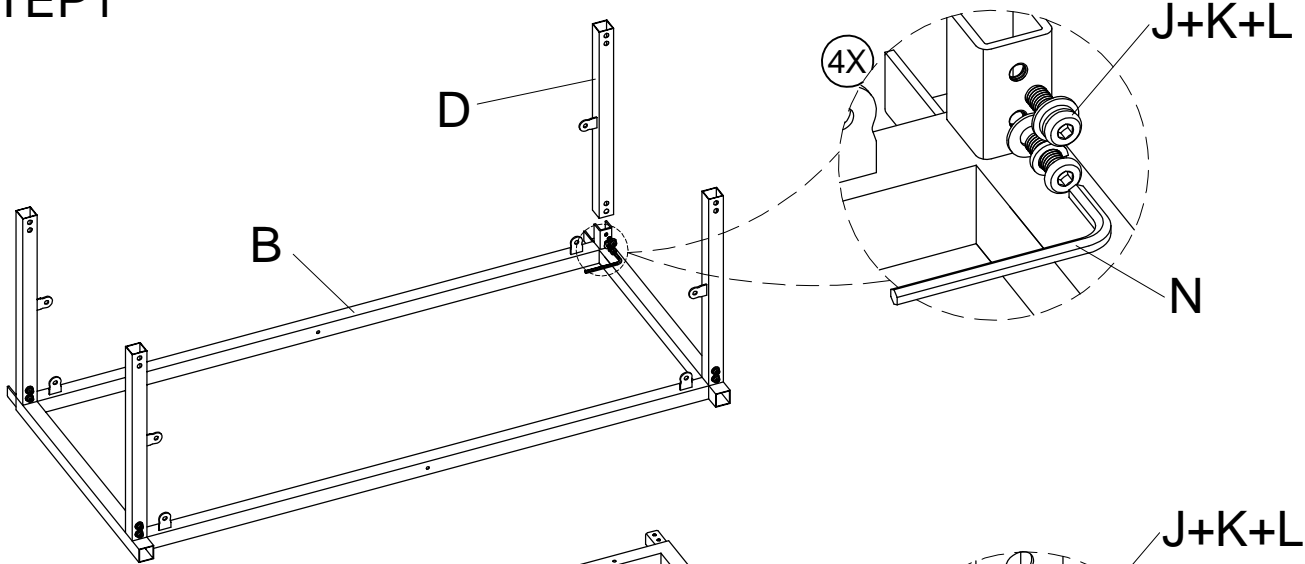
CAROLINA FORGE

Assembly Instructions

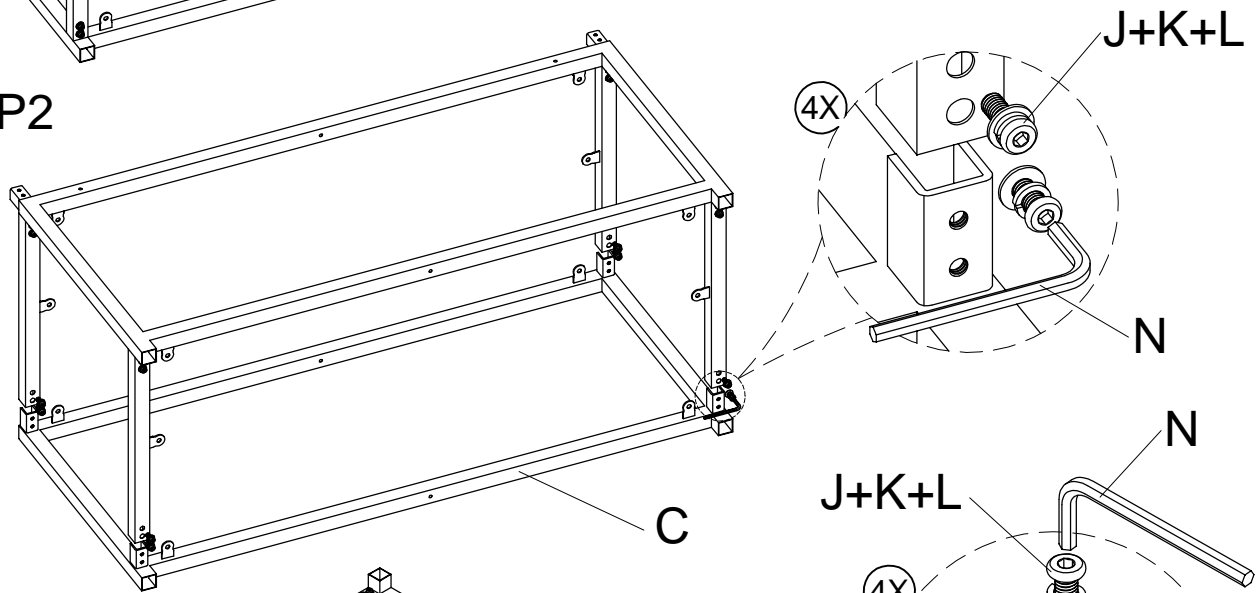
Item # CF4016CHETBK

SONOMA HALL BENCH

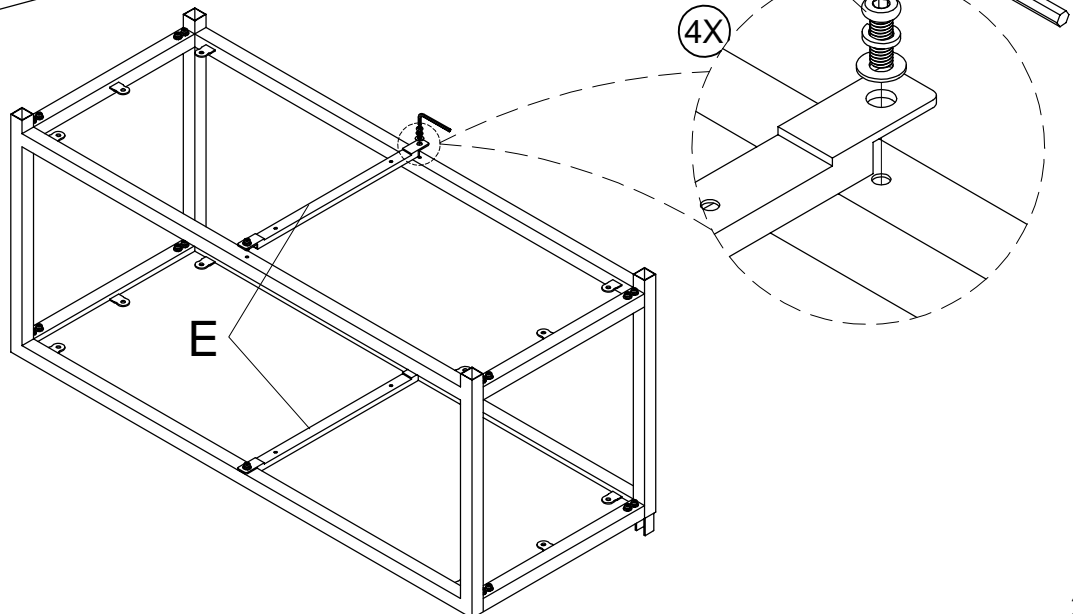
STEP 1



STEP 2



STEP 3



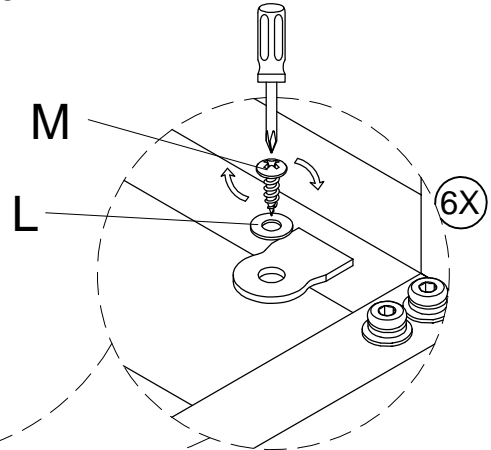
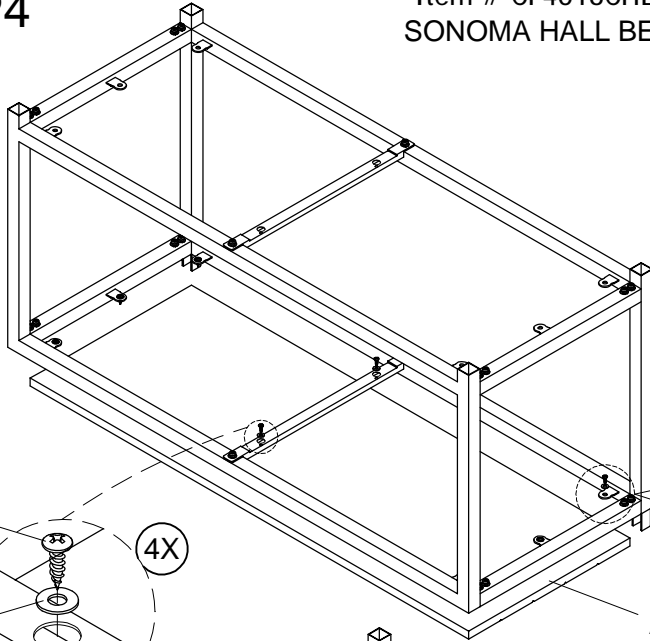


CAROLINA FORGE

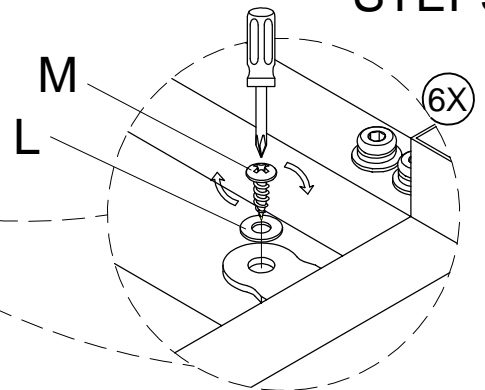
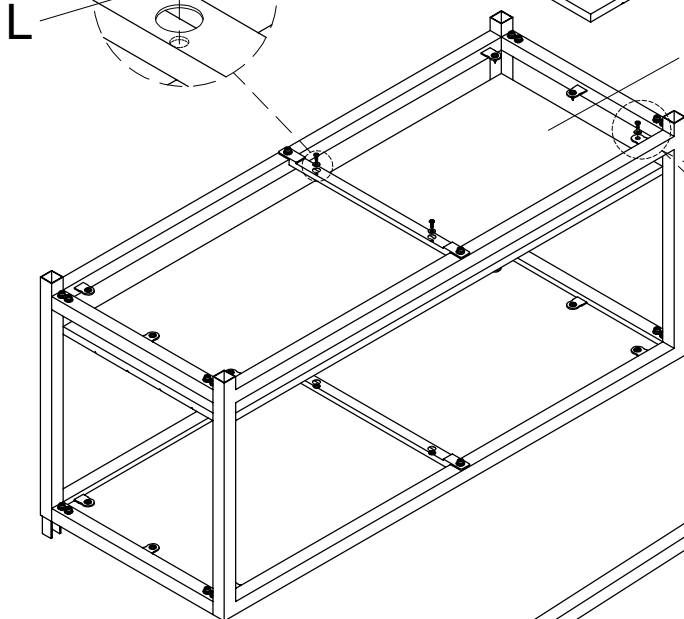
Assembly Instructions

Item # CF4016CHETBK
SONOMA HALL BENCH

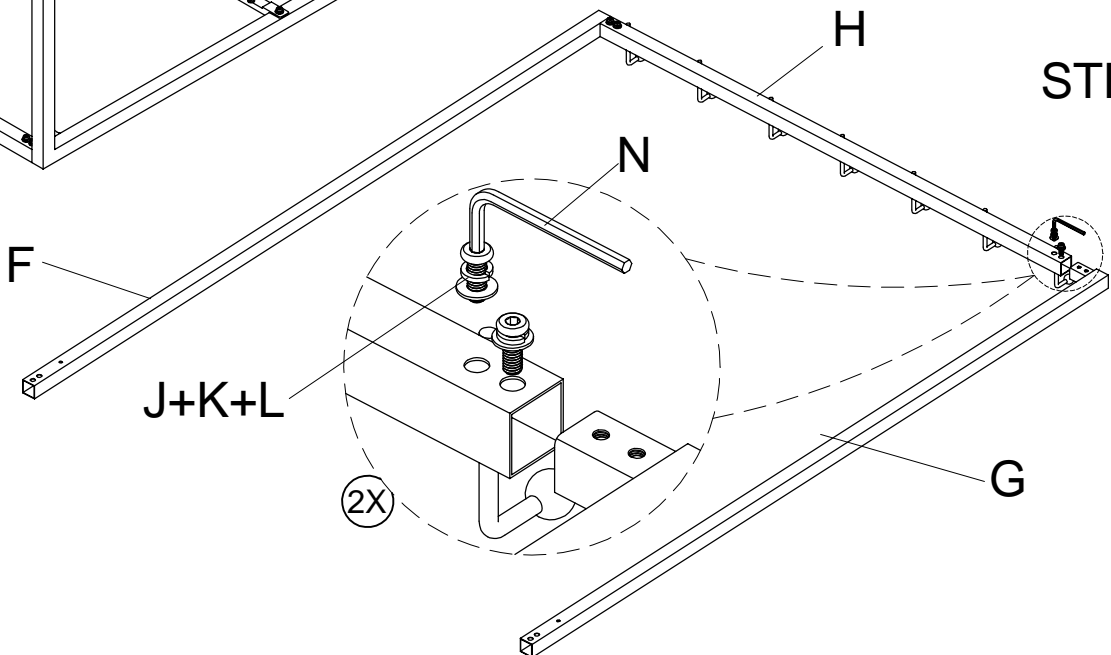
STEP 4



STEP 5



STEP 6





CAROLINA FORGE

Assembly Instructions
Item # CF4016CHETBK
SONOMA HALL BENCH

STEP 7

