

Standard Tabletop SunLite® Garden

Parts Included

		Qty.
Frame:	A1 Side Frames	2
	A2 Bars	2
	A3 Bars	1
	A4 Side Base Frames	2
	Poly Tray	1
Lights :	Light Fixture Hood	1
	Ballasts	2
	T-5 Light Tubes	2
	6' Light Cord	1
	Link Cord	1
Hardware:	Ball Chains	2
	Chain Connectors	4
	Large Split Rings	2
	Small Split Rings	2
	Chain Grips	2
	Bolts	8
	End Plugs	6

With the help of one other person, you can assemble the Tabletop SunLite® Garden in less than an hour. The only tools you'll need are a Phillips screwdriver, a hammer or rubber mallet and pliers.

Frame Assembly

Step 1. Lay out all Frame Parts on a flat, clean surface.

Step 2. Connect an A4 Side Base Frame to the end of each A2 Bar using two Phillips-head bolts (Figure 2). Repeat this step to connect the second A4 Side Base Frame to the other end of the A2 Bars. Do not fully tighten the bolts on the frame until Step 4.

Step 3. Connect the A1 Side Frames to the A4 Side Base Frames by placing a Phillips-head bolt up through the hole in the underside of each A4 Frame. Make sure the pre-drilled guide hole in the A1 Side Frame is positioned near the top. (Figure 2).

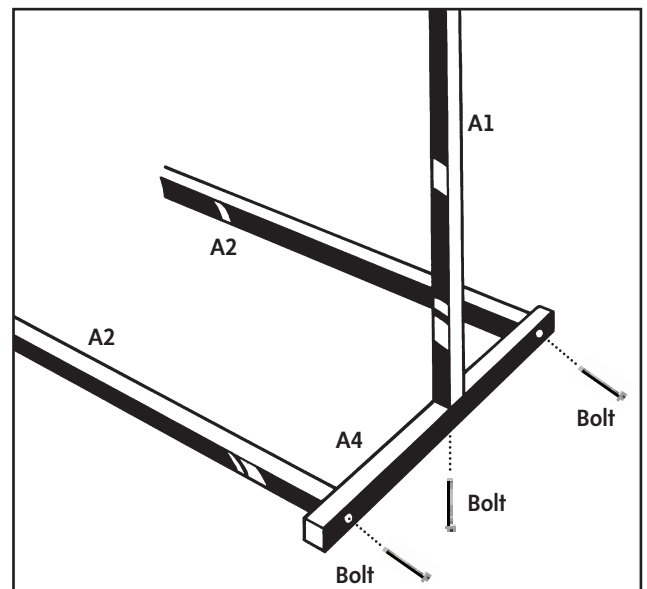
Step 4. Insert a Phillips-head bolt through the top bolt hole of the A1 Side Frame into the end of the A3 Bar (Figure 3, on next page). Do this on both ends of the Bar. Now fully tighten all the bolts on the frame.

over please

Figure 1



Figure 2



Step 5. Insert the six End Plugs into the square ends of the Frames and use a hammer to gently tap them into place.

Step 6. Rest the Light Garden on a table and place the Poly Tray on the table between the A2 Bars. You are now finished assembling the frame.

Installing and Adjusting the Light Tubes

Step 1. Place the Light Fixture Hood upside down on a level surface. This will reveal the Ballast Clips inside (Figure 4). **Important:** Remove the Light Tubes to prevent breakage during assembly (Figure 4). Reinstall them when the light fixture assembly is complete.

Step 2. Push a Ballast into each set of Clips, making sure to center the Ballasts in place (Figure 4). **Important:** Each end of the Ballast has an open pin ("female") and closed pin ("male") socket. Place the Ballasts with one male and one female socket at each end of the Light Fixture.

Step 3. Plug a power cord into the end of one Ballast.

Step 4. Connect the Light Tubes together by plugging in the Link Cord. The Link Cord is specifically molded to fit only one way on the end of each Ballast (Figure 10, next page). If it does not fit, make sure the Ballasts are positioned with one male and one female socket at each end of the Light fixture.

Step 5. Install the Light Tubes by sliding the pins on the Light Tube into the Ballast sockets, then rotate the Tube 90 degrees until it "locks" into place (Figures 5 and 5a). Installing the Tubes correctly will ensure they produce the optimum amount of light. Do not force the Tubes into place. Turn the Light Fixture upright. Remove the protective plastic film from the black side of the Light Fixture Hood.

Figure 3

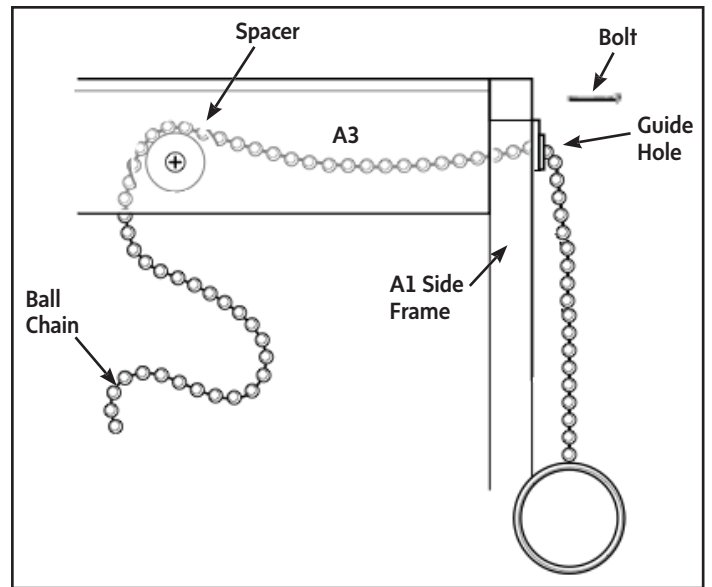


Figure 4

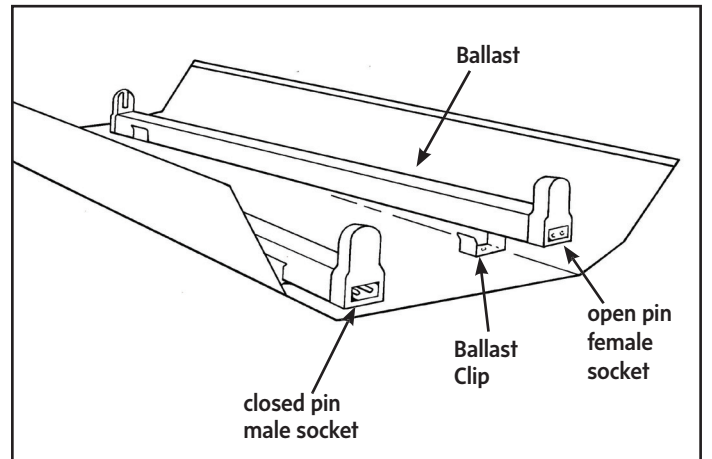
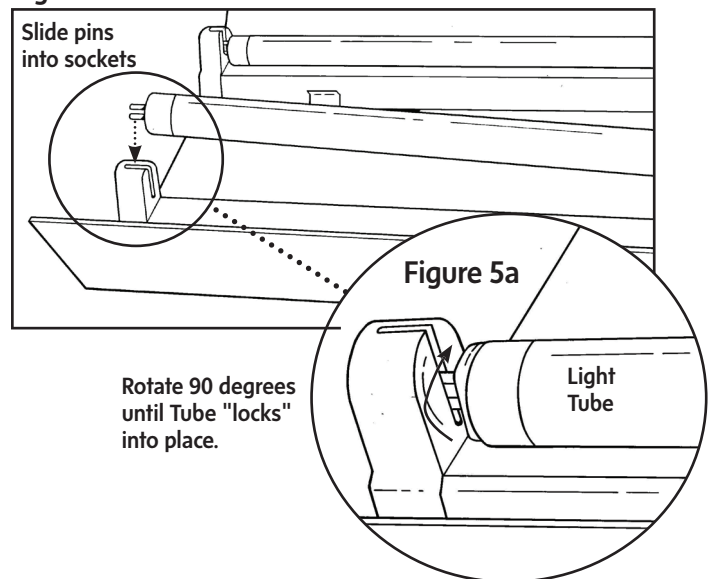


Figure 5



Fluorescent Bulb Care and Disposal

To ensure maximum light output, clean the fluorescent tubes monthly with a soft dry cloth.

The light intensity of fluorescent bulbs diminishes over time. When it's time to replace your bulbs, please dispose of them safely at your recycling center.

T-5 Fluorescent Bulbs contain Mercury and must be disposed in accordance with Disposal Laws. See www.lamprecycle.org or call 1-800-427-3363 for disposal information.

assembly continues on next page

Ball Chain Assembly

- Step 1.** Attach a Chain Connector to both Split Rings (Figure 6). If necessary, use pliers to pry open the Split Rings. (Needle nose pliers work best.)
- Step 2.** Connect one end of each Ball Chain to the Chain Connectors on the Split Rings. The last ball of each chain will “snap” onto the connector (Figure 6).
- Step 3.** Take the loose end of one Ball Chain and thread it through the Chain Grip (Figure 6a) then through the Guide Hole in the top A3 Bar (Figure 7). Direct the loose end of the chain over the spacer inside the A3 Bar (Figure 7). If this proves difficult, attach a twist-tie to the end of the chain to help lead the chain over the spacer or tip the frame onto its side. Repeat to install the Ball Chains on both sides.
- Step 4.** Attach a Chain Connector and Small Split Ring to the end of each Ball Chain (Figure 7).
- Step 5.** Find the two slots with the “T”-shaped tabs in the top of the Light Fixture. Hook each hanging Small Split Ring around the “T”-shaped tabs (Figure 8). **Tip:** angle the ring around one side of the T, then the other.

Figure 6

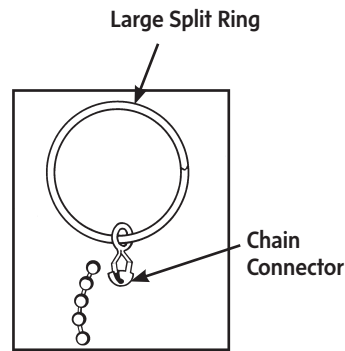


Figure 6a

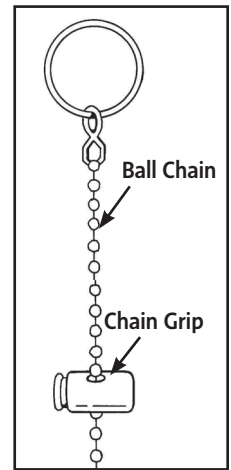


Figure 7

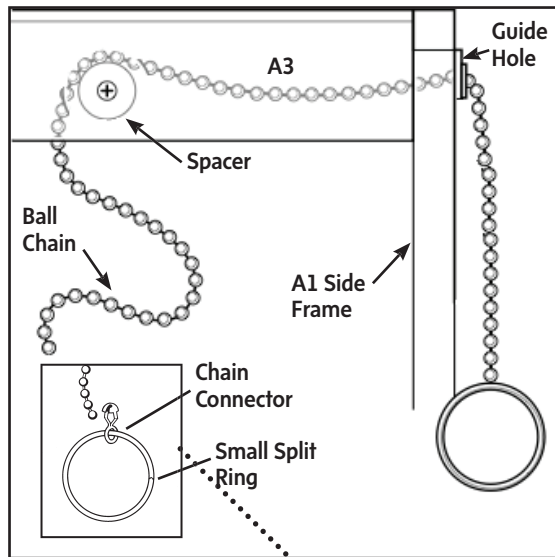
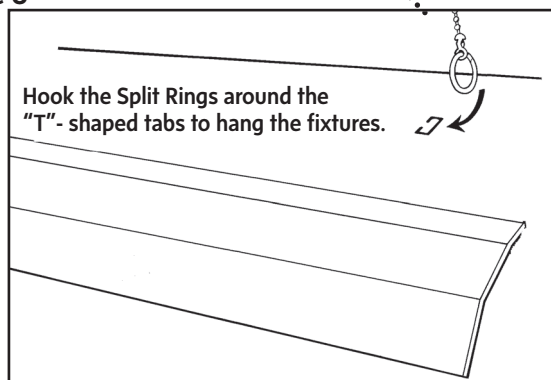


Figure 8



Adjusting the Fixtures

- Step 1.** Check the Ball Chains to make sure they are correctly positioned and move freely through the Chain Grips when pinched. **Important:** Support the Light Fixture with one hand when pinching the Chain Grips.
- Step 2.** Adjust the height of the Light Fixture one side at a time by pulling the chain out of the Chain Grip with the least amount of resistance, as shown in Figure 9. **Important:** While supporting the Fixture with one hand, be sure the Chain Grip firmly catches the chain before removing your support.

Figure 9

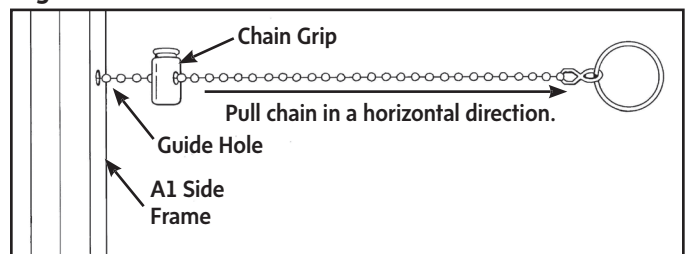
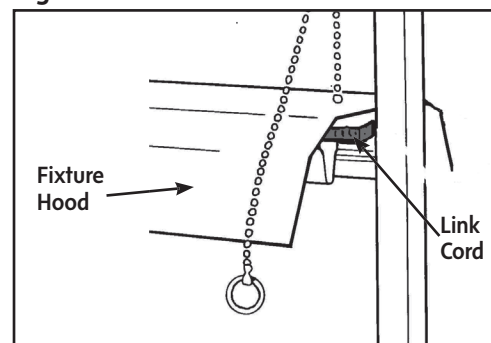


Figure 10



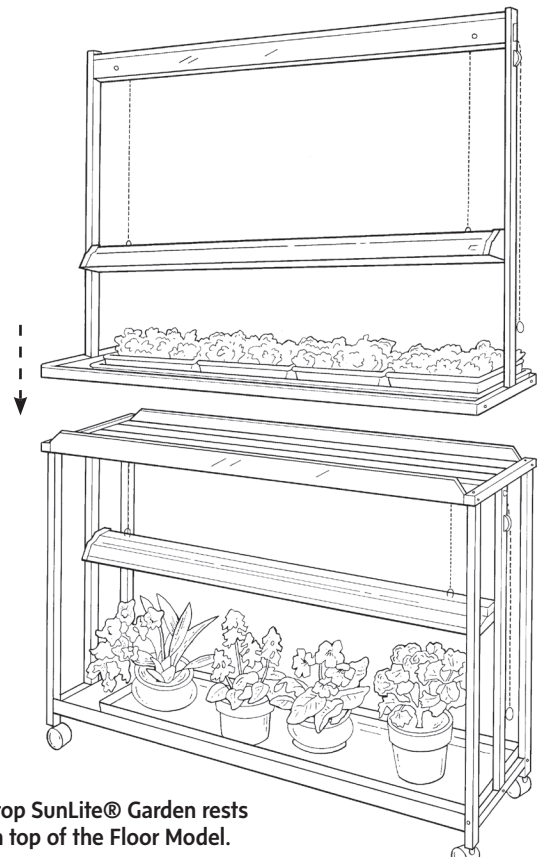
Fixture Use and Safety

- Always turn off the power to the Light Fixtures when inserting, adjusting or removing Light Tubes. If you insert a Light Tube when the power is on, it may trigger an auto safety mechanism, resulting in the light shutting off. If this happens, turn off the Fixture; make sure the Light Tubes are fully seated in the tube sockets; wait for thirty (30) seconds, then turn the Fixture on again. This will reset the Light Fixture so the lights operate normally.
- Use the power cord only with a properly grounded electrical outlet or power strip. Do not use with a two-plug outlet or extension cord unless the adapter you use is properly grounded.
- If water is spilled near the power source, unplug the unit before you wipe up the water.
- Do not put objects on top of the Frame or on Light Fixture.
- For best results, attach a timer to your lights to control the length of time the lights are on and to be sure your plants get adequate light.
- For on/off manual control of your lights, use the switch located on the power cord.

Combining a Tabletop SunLite Garden and Floor Model SunLite Garden

You get double the growing space and greater mobility when you combine the Tabletop with the Floor Model SunLite® Garden (sold separately). If you have previously purchased a Floor Model SunLite® Garden, combining the two models is easy.

- Step 1.** Assemble both units first, using the instructions provided.
- Step 2.** Remove the Poly Tray from the top of the Floor Model.
- Step 3.** Remove the rubber Corner Guards from the top four corners of the Floor Model.
- Step 4.** Place the Tabletop directly on top of the Floor Model, making sure the power on cord on each unit is hanging off the same end, then replace the Tray. That's all there is to it!



The Tabletop SunLite® Garden rests directly on top of the Floor Model.

For articles and tips on seed starting and growing under lights, plus seed-starting systems and supplies, please visit us at www.gardeners.com.