

# GARDENERS SUPPLY COMPANY

## 2' x 4' Elevated Cedar Planter Box

Our Elevated Cedar Planter Box is easy to plant, tend and harvest without kneeling or bending. The bed is a generous 10" deep so you can grow big plants like tomatoes, and with 8 square feet of growing space, there's plenty of room for multiple crops.

### Parts Included

(4) 4' Cedar Boards  
(2) 2' End Panels  
(4) Corners  
(2) Platform Supports  
(4) Flat Stock  
(4) Corner Caps  
(68) Phillips Screws  
Cedar Floor Planks  
Fabric Liner

### Tools Needed

Phillips screwdriver  
Screw gun or Drill with #2 Phillips bit  
Rubber mallet or hammer  
Tape measure



### Assembly

**Important:** When inserting the Cedar Boards and Panels into the Corners, make sure they are fully pressed inside. If there are any gaps between the wood and the Corner then you will have problems lining up the holes.

**NOTE:** Assembly is easiest with two people.

**Step 1.** Identify and organize all parts on a clean, level surface. **NOTE:** The Cedar Boards have both a rough side and a smooth side. The Floor Planks may be different widths.

**Step 2.** Lay two 4' Cedar Boards on a flat surface, with the rough sides facing up. Line up the ends of the Boards and press them tightly together. **NOTE:** We recommend using a clamp or having another person hold them firmly together.

**Step 3.** Slide a Corner onto the ends of the Cedar Boards, positioning it so the holes in the Corner match Figure 1. **NOTE:** The top Cedar Board should sit  $\frac{1}{8}$ " above the top of the Corner. Make sure the Boards are tight together and are fully seated in the Corner, then use your screw gun to insert Screws through the holes, skipping the 2<sup>nd</sup> from the bottom hole. Repeat to attach another Corner onto the other side of the Cedar Boards.

**Step 4.** Using the assembled End Panel as a reference, line up the holes in the ends of the Platform Support with the open holes in the Corners (Figures 1 & 2). Insert a Screw into both sets of holes.

**Step 5.** Again using Figure 1 and the assembled End Panel as references, slide 2 Flat Stock underneath the Platform Support. Line up with the 2<sup>nd</sup> from the bottom holes in the Flat Stock with the holes in the Platform Support and make sure they are straight. Secure the Flat Stock into place by inserting Screws through all of the holes.

**Step 6.** Repeat Steps 2–5 to assemble the other 4' Side Panel.

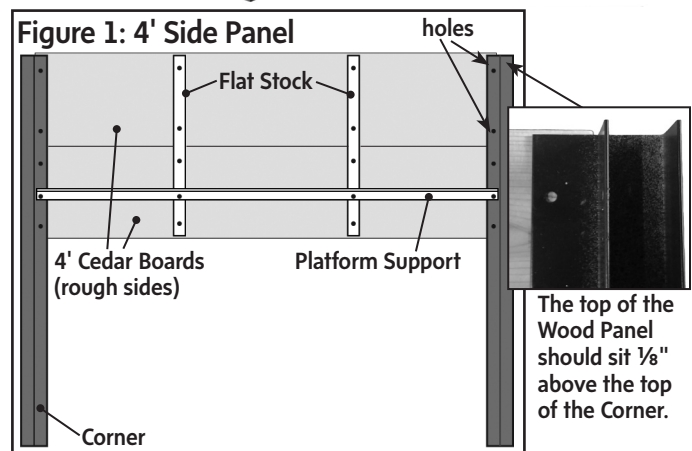
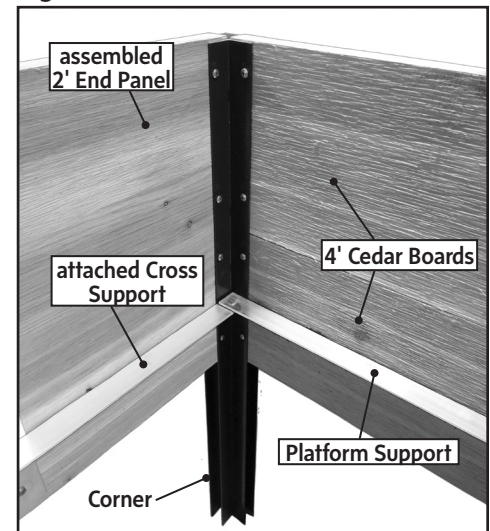


Figure 2



**Step 7.** Use a rubber mallet to tap a 2' End Panel into the open channel of a Corner, positioning it so the attached Cross Support sits underneath the Platform Support on the 4' Side Panel (Figures 2 & 3). Make sure the top of the End Panel sits  $\frac{1}{8}$ " above the top of the Corner and is fully seated inside, then insert Screws into the holes in the Corner and through the lined up holes in the ends of the Cross Support and Platform Support. Repeat to attach the remaining 2' End Panel to the same 4' Side Panel.

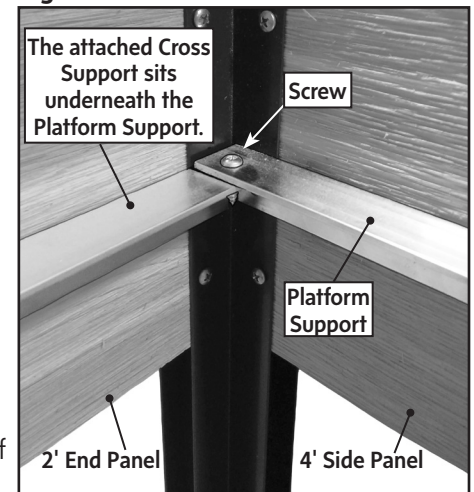
**Step 8.** Place the remaining 4' Side Panel on a flat surface. Carefully lift the other attached Panels and guide the ends of the 2' End Panels into the open channels of the Corners on the 4' Side Panel to form a box. Insert Screws through the holes in both Corners. Once all Panels are attached, stand the Planter Box on its legs.

**Step 9.** Set the Cedar Floor Planks on top of the Supports, arranging them so there are small gaps between the planks. **NOTE:** The gaps allow water to drain. Place the Fabric Liner over the Floor Planks.

**Step 10.** Insert a Corner Cap into the top of each aluminum Corner, using a rubber mallet if necessary. The planter box assembly is complete!

This elevated planter box holds almost 170 quarts or 7 cubic feet of planting mix. Fill it with Potting Mix, and if you wish, some organic matter, such as compost. We also recommend adding a slow-release fertilizer like our Organic All-Purpose Fertilizer (sold separately). **NOTE:** Avoid using a heavy potting soil or placing rocks and broken pottery into the Planter Box. Now you're ready to plant!

**Figure 3**



For how-to articles on growing vegetables and flowers in containers and raised beds, visit us at [gardeners.com](http://gardeners.com).

## Space-Maker Pivoting Trellis, 4'

Double your raised bed space by growing up or out! The trellis is designed to fit into the one-inch aluminum corners of our 4' Cedar Raised Beds, Elevated Cedar Raised Beds, Elevated Cedar Planter Boxes and Elevated U-Gardens. The unique bracket system lets you adjust the trellis angle to customize it to your crop. Install it in the vertical position to support tall plants like tomatoes and peas. Or, install it at a 45° angle for spreading vines, like cucumbers.

### Parts Included

- 2 Short Brackets, left and right
- 2 Long Brackets, left and right
- 2 Threaded Knobs
- 1 Upper Panel
- 1 Lower Panel
- 4 Clips

### Assembly

**Step 1.** Place a Short Bracket over the threaded post of the Bottom Panel, as shown in Figure 1. Then, place a Long Bracket over the threads and cogs of the Short Bracket. Adjust the Long Bracket to the desired angle up to 45 degrees, as shown below.

**Step 2.** Be sure the cogs of the Short Bracket are completely seated in the Long Bracket. Twist the Threaded Knob onto the threaded post and hand tighten it firmly.

**Step 3.** Repeat Steps 1 and 2 to assemble the other side.

**Step 4.** Remove the Corner Caps from the two aluminum corners of your raised bed. Slide the Long Brackets into the aluminum corners until they are completely seated (Figure 2).

**Step 5.** Slide the Upper Panel onto the Lower Panel. Attach the panels together with the Clips, spacing the Clips evenly across the panels (Figure 3). Assembly is complete.

To change the angle of the trellis, remove the Threaded Knobs and separate the Long and Short Brackets. Adjust the angle, then reseat the Brackets and tighten the Threaded Knobs.

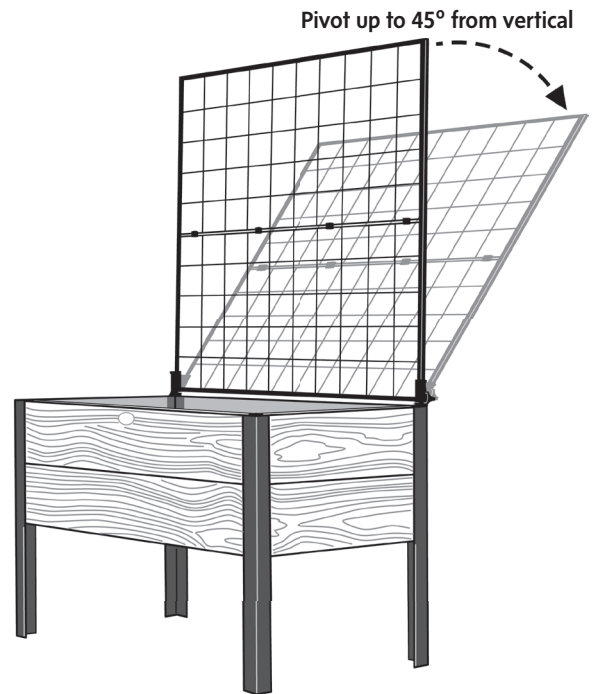


Figure 1

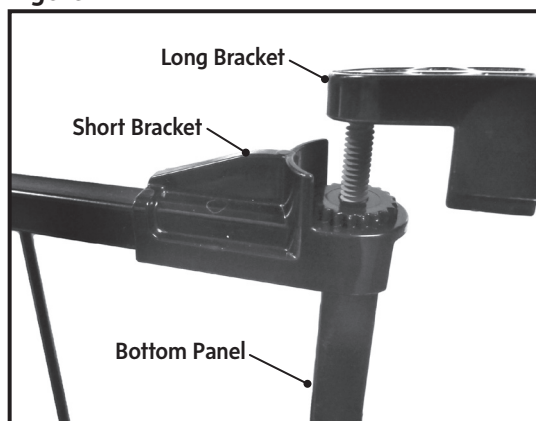


Figure 2

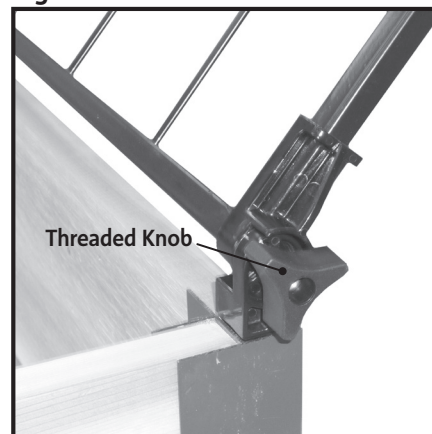


Figure 3

