

## Galvanized Self-Watering Trough Planter, Tall

Our Galvanized Self-Watering Planters are built to last, easy to use, and the self-watering reservoir ensures your plants will get all the water they need, while cutting down on your watering chores. They're perfect for growing vegetables or creating dramatic flower displays.

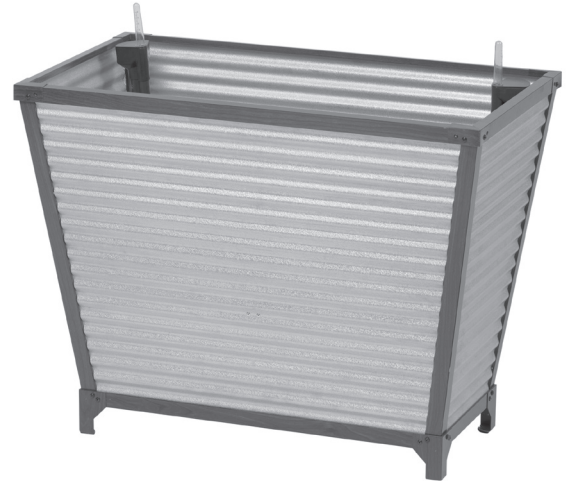
### Parts List

- (2) Side Panels with faux-wood edges
- (2) End Panels with faux-wood edges
- (1) Planter Base
- (1) Planter Top
- (1) Floor Support
- (1) Bracket
- (4) Channel Inserts
- (4) Foot Pads
- (2) Drainage Plugs
- (2) Fill Tubes and Water Level Indicators
- (10) Capillary Tubes

- (2) Reservoir Top
- (2) Reservoir Base
- (16) Bolts
- (4) Large Screws

### Tools required

- Phillips screwdriver
- Rubber mallet or hammer



### Assembly

**Caution:** Metal edges may be sharp. We recommend wearing gloves during assembly. **NOTE:** Assembly is easiest with two people.

**Step 1.** Identify and organize all the parts on a clean, level surface.

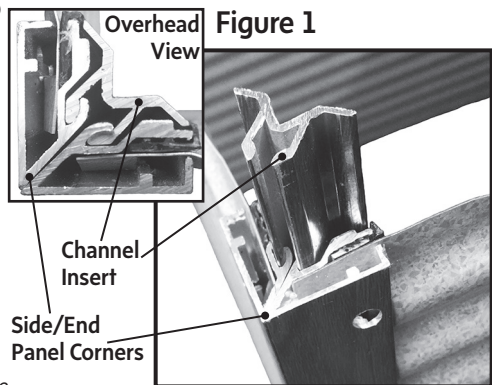
**Step 2.** Attach the four Foot Pads to the feet of the Planter Base (Figure 2).

**Step 3.** Stand a Side Panel and an End Panel upright and line up the faux-wood edges to form a corner. Examine a Channel Insert and notice how it has a sticker with an arrow on it. With the arrow pointing down toward the bottom of the planter, slide the Channel Insert into the openings on both the Side and End Panels, as shown in Figure 1. You may need to use a rubber mallet to lightly tap the Insert fully into place. Repeat to attach the other End Panel to the same Side Panel.

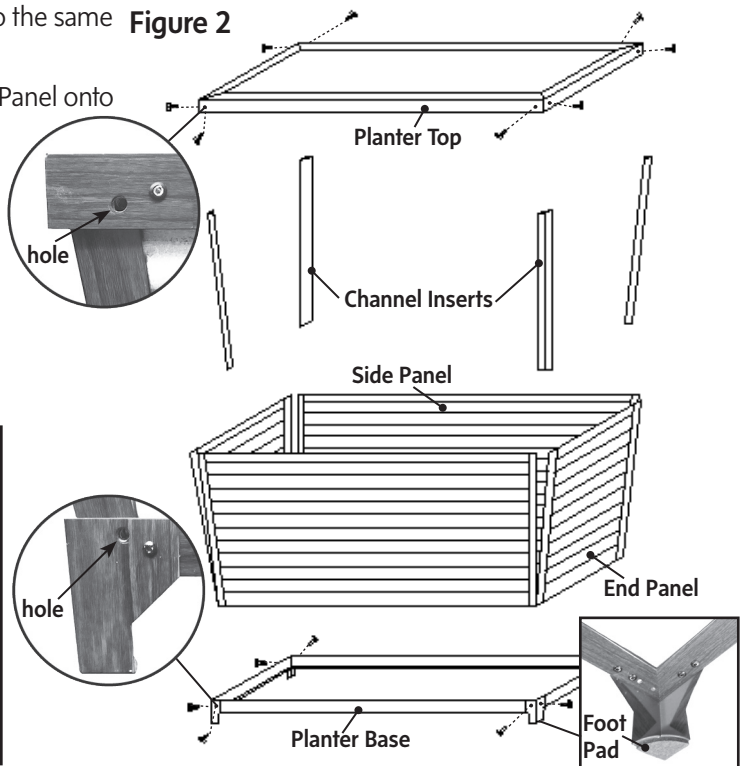
**Step 4.** Carefully place the attached Panels and the remaining Side Panel onto the Planter Base. Repeat Step 3 to attach the remaining Side Panel to the End Panels.

**Step 5.** The holes in the Planter Base should line up with the holes in the Panels (Figure 2). Loosely insert a Bolt through all eight sets of holes, and then tighten them into place using a Phillips screwdriver.

**Step 6.** Place the Planter Top on top of the Panels. The holes in the Top should line up with the holes in the Panels (Figure 2). Loosely insert the remaining screws into each set of holes, and then tighten them into place using a Phillips screwdriver.

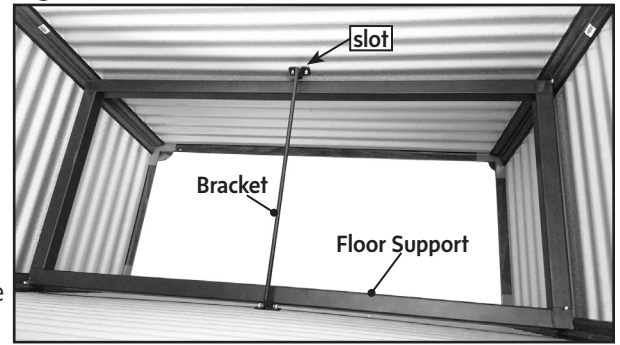


over please



**Step 7.** Examine the corners of the Floor Support and notice how they are tapered on one side and flat on the other. With the flat side facing up, place the Floor Support into the Planter (Figure 3). Slide the hooked ends of the Bracket into the slots on the Side Panels.

**Figure 3**



**Step 8.** Screw the Drainage Plugs into the bottom of the Reservoir Bases. Place a Reservoir Top onto each Base, lining up the smaller holes in the Top with the holes in the columns on the Base (Figure 4). Use a Phillips screwdriver to place Large Bolts through the sets of holes. Slide the Fill Tubes into the two adjacent holes in the corners of the Reservoir Tops. Push the Capillary Tubes into the openings until they hit the bottom of the Bases.

**Step 9.** Place the assembled Reservoirs into the planter, sitting them on top of the Floor Support. Your planter assembly is complete!

The Galvanized Self-Watering Trough Planter holds 80 quarts of planting mix. We recommend filling the planter with our Self-Watering Potting Mix (sold separately). Firmly press the mix around the Capillary Tubes, and make sure you do not cover the tops of the Fill Tubes.

After planting, water from above to help your plants settle in, and fill the Reservoirs by sliding the Fill Tube covers to either side. You may need to continue watering from above until your plants are well established. Check the water level frequently and keep both Reservoirs filled. Drain and store the Reservoirs prior to freezing temperatures.

**About Drainage:** This planter has an overflow drainage hole, so that when the water reservoir is full, any excess water will drain out. The draining water can stain surfaces under the planter.

**Figure 4**

