

## 2' x 2' Elevated Cedar Planter Box

Our Elevated Cedar Planter Box is easy to plant, tend and harvest without kneeling or bending. Lifetime aluminum corners and rot-resistant cedar make it durable and long-lasting.

### Parts Included

(4) 2' Cedar Boards  
(4) Corners  
(2) Platform Supports  
(4) Flat Stock  
(2) Assembled 2' Panels  
(4) Corner Caps  
(54) Phillips Screws  
Cedar Floor Planks  
Fabric Liner

### Tools Needed

Phillips screwdriver  
Screw gun or Drill with #2 Phillips bit  
Rubber mallet or hammer  
Tape measure



### Assembly

**Important:** When inserting the Cedar Boards and Panels into the Corners, make sure they are fully pressed inside. If there are any gaps between the wood and the Corner then you will have problems lining up the holes.

**NOTE:** Assembly is easiest with two people.

**Step 1.** Identify and organize all parts on a clean, level surface. **NOTE:** The Cedar Boards have both a rough side and a smooth side. The Floor Planks may be different widths.

**Step 2.** Lay two 2' Cedar Boards on a flat surface, with the rough sides facing up. Line up the ends of the Boards and press them tightly together. **NOTE:** We recommend using a clamp or having another person hold them firmly together.

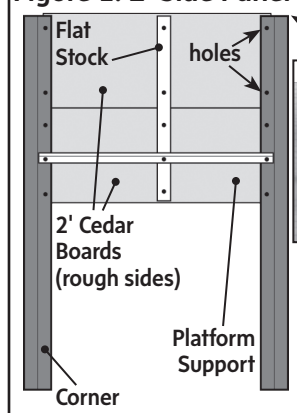
**Step 3.** Slide a Corner onto the ends of the Cedar Boards, positioning it so the holes in the Corner match Figure 1. **NOTE:** The top Cedar Board should sit  $\frac{1}{8}$ " above the top of the Corner. Make sure the Boards are tight together and are fully seated in the Corner, then use your screw gun to insert Screws through the holes, skipping the 2<sup>nd</sup> from the bottom hole. Repeat to attach another Corner onto the other side of the Cedar Boards.

**Step 4.** Using the Assembled 2' Panels as a reference, line up the holes in the ends of the Platform Support with the open holes in the Corners (Figures 1 & 2). Insert a Screw into both sets of holes.

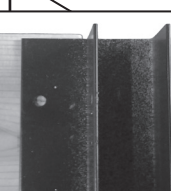
**Step 5.** Again using Figure 1 and the Assembled 2' Panels as references, slide a Flat Stock underneath the Platform Support. Line up with the 2<sup>nd</sup> from the bottom holes in the Flat Stock with the hole in the Platform Support and make sure it is straight. Secure the Flat Stock into place by inserting Screws through all of the holes.

**Step 6.** Repeat Steps 2–5 to assemble the other 2' Side Panel.

Figure 1: 2' Side Panel

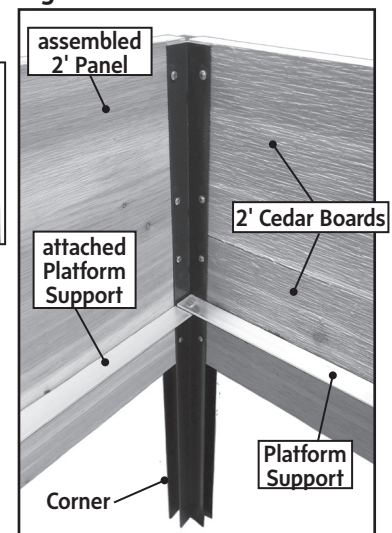


over please



The top of the Wood Panel should sit  $\frac{1}{8}$ " above the top of the Corner.

Figure 2



**Step 7.** Use a rubber mallet to tap an Assembled 2' Panel into the open channel of a Corner, positioning it so the attached Platform Support sits underneath the Platform Support on the 2' Side Panel (Figures 2 & 3). Make sure the top of the Assembled 2' Panel sits  $\frac{1}{8}$ " above the top of the Corner and is fully seated inside, then insert Screws into the holes in the Corner and through the lined up holes in the ends of the Platform Supports. Repeat to attach the remaining Assembled 4' Panel to the same 2' Side Panel.

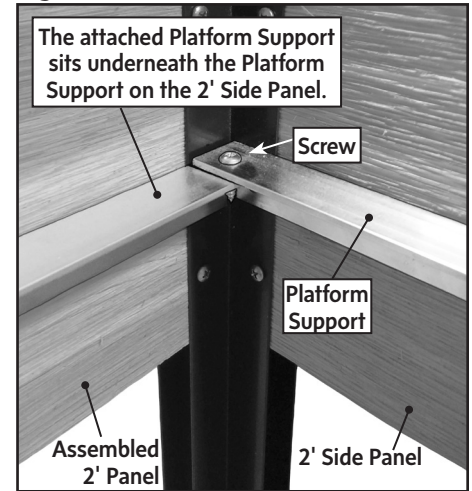
**Step 8.** Place the remaining 2' Side Panel on a flat surface. Carefully lift the other attached Panels and guide the ends of the Assembled 2' Panels into the open channels of the Corners on the 2' Side Panel to form a box. Insert Screws through the holes in both Corners. Once all Panels are attached, stand the Planter Box on its legs.

**Step 9.** Set the Cedar Floor Planks on top of the Supports, arranging them so there are small gaps between the planks. **NOTE:** The gaps allow water to drain. Place the Fabric Liner over the Floor Planks.

**Step 10.** Insert a Corner Cap into the top of each aluminum Corner, using a rubber mallet if necessary. The planter box assembly is complete!

This elevated planter box holds approx. 65 quarts of planting mix. Fill it with Potting Mix, and if you wish, some organic matter, such as compost. We also recommend adding a slow-release fertilizer like our Organic All-Purpose Fertilizer (sold separately). **NOTE:** Avoid using a heavy potting soil or placing rocks and broken pottery into the Planter Box. Now you're ready to plant!

**Figure 3**



For how-to articles on growing vegetables and flowers in containers and raised beds, visit us at [gardeners.com](http://gardeners.com).