

GARDENERS SUPPLY COMPANY

Compact 2-Tier and 3-Tier SunLite® Garden

Our Vermont-made Compact SunLite® Gardens deliver bright, full-spectrum light that seedlings need for healthy vigorous growth. Each light fixture contains high-efficiency T-5 Fluorescent Tubes that save energy. The only tools you'll need for assembly are a Phillips screwdriver, and optional needle-nose pliers and rubber mallet.

Parts Included	2-Tier 3-Tier		Hardware:	2-Tier 3-Tier		
	Qty.	Qty.		Qty.	Qty.	
Frame: S1L Vertical Bars	2	2	Ball Chains	4	6	
	S1R Vertical Bars	2	2	Chain Connectors	4	6
	S2 Vertical Bars	2	2	Split Rings	4	6
	S3T Side Bars	2	2	Chain Grips	4	6
	S3B Side Bars	2	2	3/4" Bolts	2	2
	A3 Bars	2	3	2" Bolts	22	28
	A4 Shelf Bars	4	6	End Plugs	4	4
	Poly Trays	2	3	Bolt Caps	6	6
				Casters	4	4
				Caster Inserts	4	4
Lights: Light Fixture Hoods	2	3	Tools Required Phillips screwdriver Needle-nose pliers (optional) Rubber mallet or hammer (optional)			
	Ballasts	4				6
	T-5 Light Tubes	4				6
	6' Electrical Cords	2				3
	Link Cords	2				3



Frame Assembly

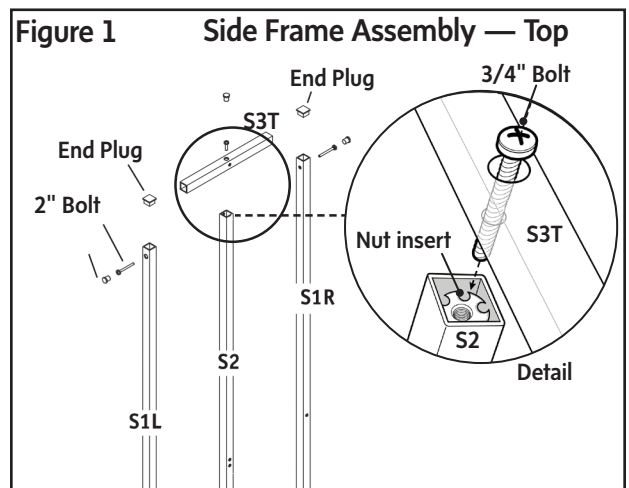
Please read through all the instructions and identify all parts before beginning assembly.

Step 1. Organize all parts on a flat, clean surface. All frame parts are labeled with a letter and number. See parts list. Use a hammer or rubber mallet to tap an End Plug into the tops of each S1R (right) and S1L (left) Vertical Bar. **Important note:** The top of the S1R and S1L Bars have bolt holes through 2 sides of the bar. The bottom of the bars have bolt holes in all 4 sides of the bar.

Step 2. Take an S2 Vertical Bar and find the nut insert located inside the end (Figure 1 detail). Using the shorter 3/4" bolt, connect an S3T Bar to the top of the S2 Vertical Bar by screwing the bolt through the S3T bar and into the nut insert (Figure 1 detail). The Bolt will be fully inside the S3T when tightened. **Important note:** Orient the the S1L and S1R Vertical Bars so that the largest holes at the bottom face the outside of frame.

Tip: Make sure the bolt enters the nut insert straight. If the nut insert is off center, use a hammer and a bolt to tap the sides of the nut insert gently until it is level.

Tip: You may need to loosen bolts as you go through the rest of the assembly, so only partially tighten them for now.



over please

Step 3. Using a 2" bolt, attach an S3B Bar to the bottom of the S2 Vertical Bar (Figure 2).

Step 4. Connect an S1L and an S1R Vertical Bar to the ends of the S3B (Figure 2). **Important:** Insert the bolt through the large hole in the vertical bar first, then the small hole, then the nut, so that your screwdriver is inside the bar when tightening. The head of the bolt will be flush against the inside wall of the S1L and S1R Bars when tightened. Attach the S3T between the S1L and S1R (Figure 1). You have just finished the first Side Frame.

Step 5. Repeat Steps 2 through 4 to assemble the second side frame, then firmly tighten all bolts on both Side Frames, making sure the bars are flush with one another.

Important: Assemble both sides before proceeding.

Step 6. Connect the ends of an A3 Bar between the top S3T Bars (Figure 3). The open track of the A3 Bar should face toward the ground. Insert the bolts through the predrilled holes in the S3T bars, then screw the bolts into the ends of the A3 Bar on both ends (Figure 3). Connect the remaining A3 Bar(s) to the S2 Vertical Bars at each tier. **Note:** Figure 3 shows the 2-Tier Compact SunLite® Garden only.

- 2-Tier Compact SunLite® Garden has two A3 Bars.
- 3-Tier Compact SunLite® Garden has three A3 Bars.

Step 7. Connect the A4 Shelf Bars to the S1L and S1R Vertical Bars at each tier (Figure 3). Each A4 Shelf Bar is box-shaped with a thin flange. Make sure the wide flat side of the flange is flush with the outside of the S1 Bars on each side and pointing toward the top of the unit. The box-shaped portion of the Shelf Bars are positioned inside to hold the Poly Trays (Figure 3). **Note:** Figure 3 shows the 2-Tier Compact SunLite Garden only.

- 2-Tier Compact SunLite® Garden has four A4 Shelf Bars.
- 3-Tier Compact SunLite® Garden has six A4 Shelf Bars.

Step 8. You may now tighten all bolts on the frame, holding the bars in place as you tighten. With the frame upright, make sure all outside edges of the bars are flush and secure. Adjust, as necessary.

Step 9. Gently lay the entire frame on its side. Place a Caster Insert into the bottom of all four S1 Vertical Bars. Firmly push a Caster into each insert until it clicks into place (Figure 3). Use a mallet, if needed.

Step 10. Stand the unit upright. Cover all the bolt holes with Bolt Caps (Figures 1 and 2). Place Poly Trays on the A4 Shelf Bars. The frame assembly is finished.

Figure 2 Side Frame Assembly — Bottom

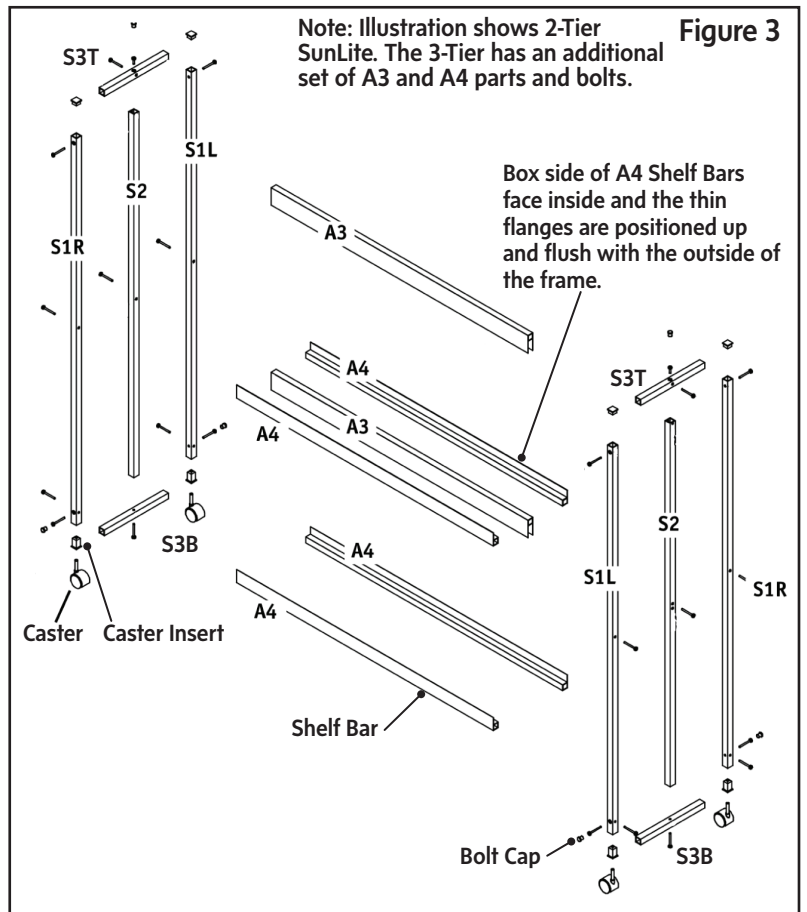
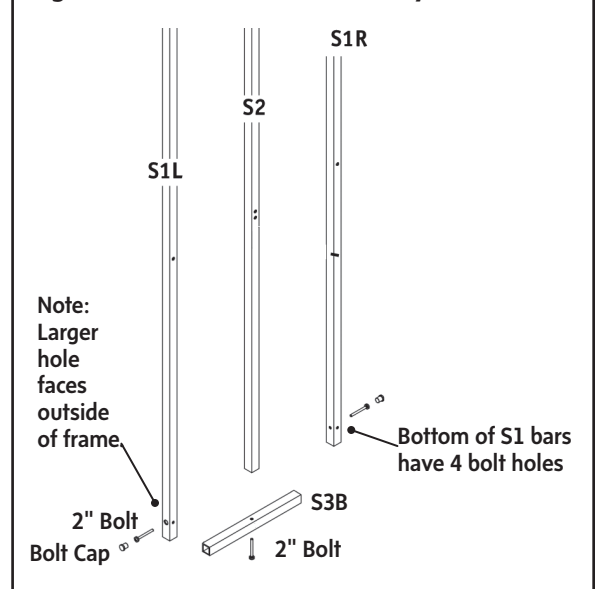


Figure 3
Note: Illustration shows 2-Tier SunLite. The 3-Tier has an additional set of A3 and A4 parts and bolts.

Assembling the Light Fixture

Important: Before installing the Ballasts, remove the T-5 Light Tubes by twisting them gently out of the sockets. Set them aside for now. The Light Tubes are fragile and may break if left inside the ballasts during installation.

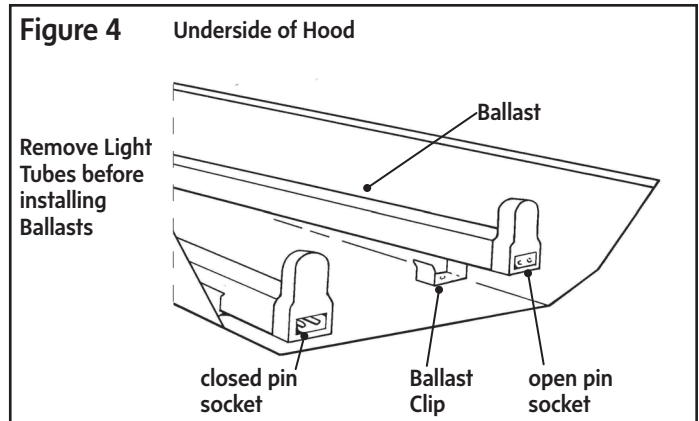
Step 1. Place a Light Fixture Hood upside down on a level surface. This will reveal the Ballast Clips inside (Figure 4).

Step 2. Locate the Ballasts and note that each end has an open pin (female) and closed pin (male) socket. **Important:** Place the Ballasts into the Hood so that each end of the Light Fixture has a male and female socket. Push a Ballast into each set of Clips, making sure to center the Ballasts in place (Figure 4).

Step 3. Plug the 6' Electrical Cord into the male end of one Ballast. **Tip:** Orient all Electrical Cords to one end of the SunLite Garden as you assemble each Fixture.

Step 4. On the opposite end of the Light Fixture, use a Link Cord to connect the two Ballasts. Snap it firmly into place. If it does not fit, make sure the Ballasts are positioned with one male and one female socket at each end of the Light fixture.

Step 5. Replace the Light Tubes by sliding the pins on the Tube into the Ballast sockets, then rotate it 90 degrees until it "locks" into place. Installing the Tubes correctly will ensure they produce the most light. Do not force the Tubes into place. Turn the Light Fixture Hood upright and remove the protective film from the black side of it. Repeat Steps 1-5 for each Light Fixture Hood.



Ball Chain Assembly

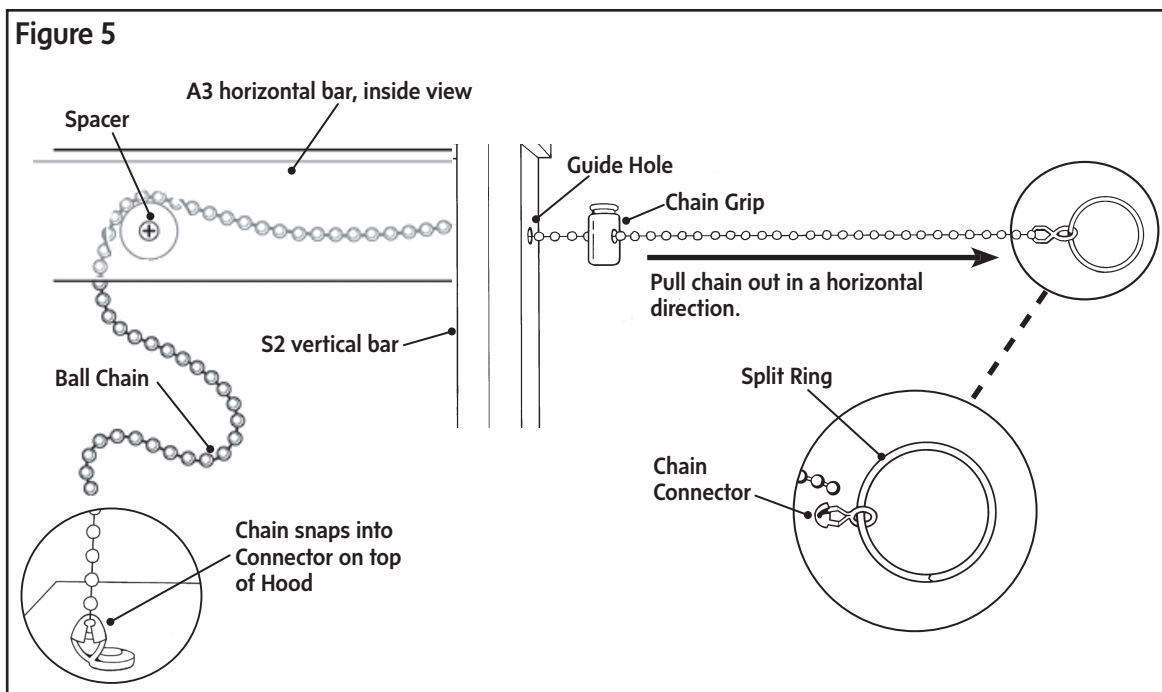
Step 1. Attach a Chain Connector to each Split Ring (Figure 5, detail). If necessary, use needle-nose pliers to pry open the Split Rings.

Step 2. Connect one end of a Ball Chain to the Chain Connectors on the Split Rings. The last ball of the chain will "snap" onto the connector.

Step 3. Take the loose end of each Ball Chain and thread it through a Chain Grip (Figure 5). Then, thread the Ball Chain through the drilled hole in the S2 Vertical Bar and over the Spacer, as shown in Figure 5. **Tip:** To make it easier to install the Ball Chains, tip the assembled Frame onto its side so that the chain drops down into the hole and over the spacer. Repeat to install the Ball Chains on both sides and all tiers of the Frame.

Step 4. Place Poly trays and assembled Light Fixtures onto each tier of the Frame. Attach the Ball Chains to the Light Fixtures by snapping the last ball of each Ball Chain into the Chain Connectors that are pre-installed on the top of each Light Fixture.

instructions continue, over please



Adjusting the Light Fixture Height

Step 1. Check the Ball Chains to make sure they are correctly positioned and move freely through the Chain Grips when pinched.

Step 2. Adjust the height of the Light Fixture one side at a time. Pinch the Chain Grip and pull the chain out vertically (Figure 5). This will allow you to adjust the height of the Fixture with the least amount of resistance and protect the Chain Grip from abrasion.

Important: Support the Light Fixture with one hand until you are sure the Chain Grip "catches".

Fixture Use and Safety

- Always turn off the power to the Light Fixtures when inserting, adjusting or removing Light Tubes. **Important:** If you insert a Light Tube when the power is on, it may trigger an auto safety mechanism, resulting in the light shutting off. If this happens, turn off the Fixture; make sure the Light Tubes are fully seated in the tube sockets; wait for thirty (30) seconds, then turn the Fixture on again. This will reset the Light Fixture so the lights operate normally.
- Use the power cord only with a properly grounded electrical outlet or power strip. Do not use with a two-plug outlet or extension cord unless the adapter you use is properly grounded.
- If water is spilled near the power source, unplug the unit before you wipe up the water.
- Do not put objects on top of the Frame or on Light Fixture.
- For best results, attach a timer to your lights to control the length of time the lights are on and to be sure your plants get adequate light.
- For on/off manual control of your lights, use the switch located on the power cord.
- Replace the light tube when the ends of the light tube darken. Light output from an old tube can be less than half that of a new tube. Dispose of light tubes at your nearest waste recycling center.
- Clean the fluorescent tubes monthly with a dry cloth. An accumulation of dust and dirt can dramatically reduce the amount of light your plants receive.
- For best results, attach a timer to your lights to control the length of time the lights are on and to be sure your plants get adequate light.

Fluorescent Bulb Care and Disposal

To ensure maximum light output, clean the fluorescent tubes monthly with a soft dry cloth.

The light intensity of fluorescent bulbs diminishes over time. When it's time to replace your bulbs, please dispose of them safely at your recycling center.

T-5 Fluorescent Bulbs contain Mercury and must be disposed in accordance with Disposal Laws. See www.lamprecycle.org or call 1-800-427-3363 for disposal information.

For articles and tips on seed starting and growing under lights, plus more seed-starting systems and supplies, please visit us at www.gardeners.com.