

## Large Garden Cart

Congratulations on your new Gardener's Supply Garden Cart. It features a foam-cushioned handle for a more comfortable grip and a front panel that easily slides out of your way when you dump the contents of the cart. We've applied a smooth, custom-bent aluminum trim so that edges won't catch debris or your clothing. With pre-drilled holes, your Garden Cart is easy to assemble and will give you many years of dependable service.

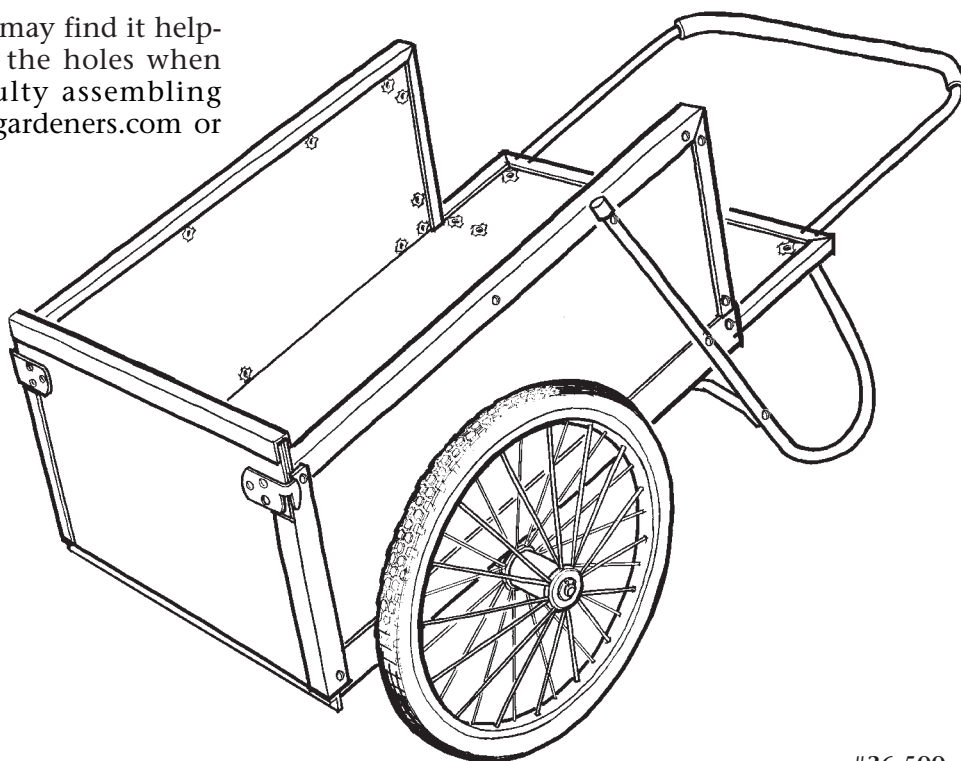
<b>Parts List:</b>	<i>Qty</i>	<i>Description</i>	<i>Qty</i>	<i>Description</i>
	(43)	T-Nuts	(2)	aluminum angles
	(10)	1 <sup>3</sup> / <sub>8</sub> " bolts	(2)	2"x 2" Support Angles
	(35)	5/8" bolts	(1)	handle
	(8)	3/4" bolts	(2)	leg stands
	(6)	1/4" x 20 lock nuts	(1)	leg brace
	(6)	3/4" full clamps	(1)	42 <sup>1</sup> / <sub>2</sub> " x 3/4" steel axle
	(2)	3/4" half clamps	(2)	26" wheels
	(2)	1/2" axle clamps	(1)	bottom panel
	(2)	front panel brackets	(2)	side panels
			(1)	front panel
			(2)	cotter pins
			(5)	Panel Trim Pieces
			(1)	U-brace

- Tools Needed:**
- nail or awl
  - adjustable wrench
  - Phillips screwdriver
  - pliers

**Helpful hint:** During assembly, you may find it helpful to use a nail or awl to line up the holes when placing bolts. If you have difficulty assembling your cart, please contact us: ([info@gardeners.com](mailto:info@gardeners.com) or 1-800-427-3363).

### Safety Information

- Use caution on slopes. The cart does not have brakes and may roll away from you.
- Do not exceed the 500-pound load recommendation for this cart.
- Distribute weight evenly when loading the cart. Too much weight in the front of the cart can cause the cart to flip up unexpectedly and cause injury.



# Assembly

## T-Nut Installation:

**Step 1.** Lay out the wood panels on a hard level surface and arrange the hardware so it's easily accessible. **Note:** Each wood panel has pre-drilled holes and comes with one T-Nut already inserted into a hole. Lay out each wood panel so that the sides with the installed T-Nuts face up. Note that the Panel Trim and 2" x 2" Support Angles arrive positioned on their corresponding wood panels but not bolted into place. This will be done in a later step. For now, simply make sure all the Trim pieces fit flush around the edges of the cart Panels.

**Step 2.** Using a hammer, firmly tap a T-Nut into each of the pre-drilled holes in the wood panels until the head of the T-Nut rests flush with the surface of the wood. **Do not** place a T-Nut in the holes in the Left and Right panels marked as "No T-Nut" (Fig. 1. shows corresponding holes in Left Panel only.).

**NOTE:** If for any reason you need to remove a T-Nut, insert a 1 $\frac{3}{8}$ " bolt into the T-Nut from the opposite side and strike it with a hammer to knock it out of the wood panel and start over.

## Attaching the Trim and Support Angles:

**Step 3.** Start with the Bottom Panel. **The corners of the front Trim should be sandwiched between the Bottom Panel and the 2"x2" Support Angles (Fig. 2).** Make sure the holes in the front and back Trim and the Support Angles are lined up with the pre-drilled holes in the Bottom Panel (Fig. 2). Insert four 5/8" Bolts up through the underside to connect the Trim and Support Angles to the Bottom Panel. **Tip:** You may find it helpful to use a nail or an awl to line up the holes when inserting the bolts into the T-Nuts. We've included extra 5/8" Bolts and T-Nuts in case any are stripped during the assembly.

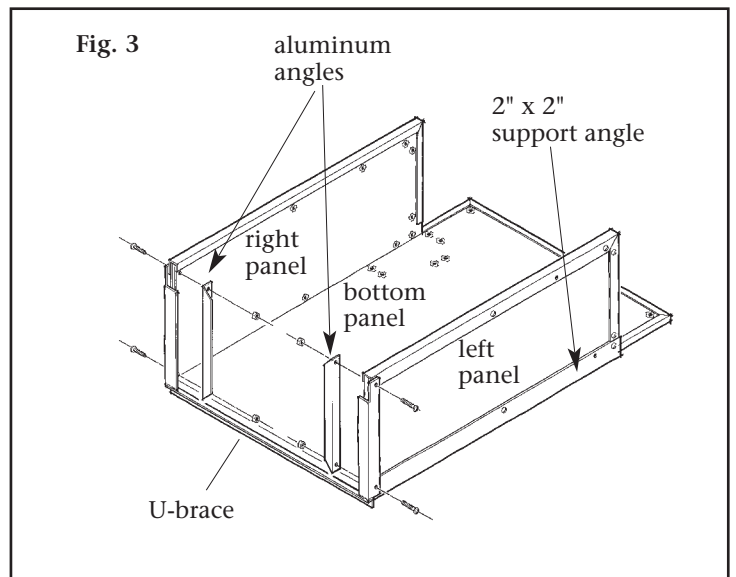
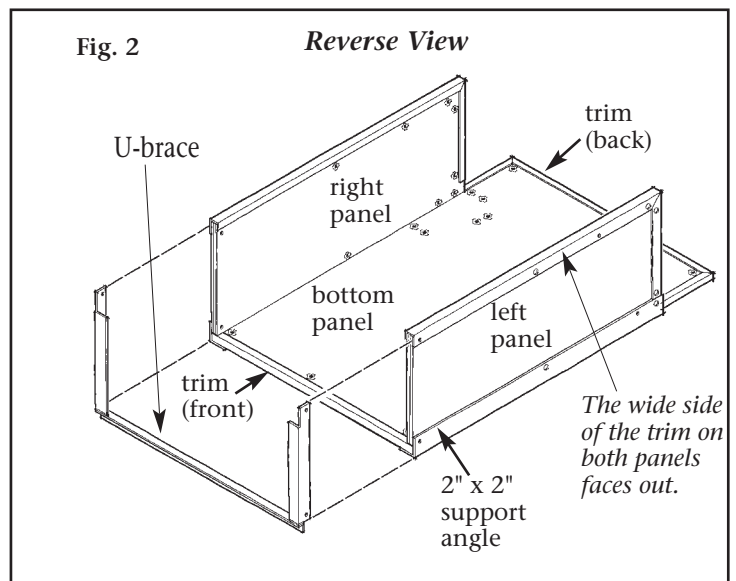
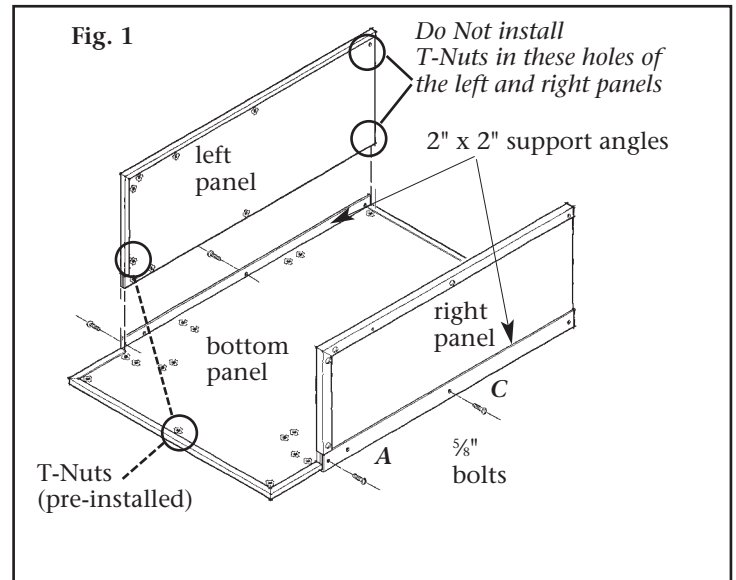
## Cart Assembly:

**Step 4.** Position the Left and Right Panels inside the 2"x2" Support Angles of the Bottom Panel, making sure the sides of the Panels with T-Nuts face inward and the wide side of the aluminum trim on both Panels faces out. **Do not attach the Trim to the top of the Left and Right Panels at this time.** This Trim will be attached later in conjunction with other parts.

**Step 5.** Using the 5/8" bolts, attach each Side Panel to the 2"x2" Support Angles by placing a bolt through holes A and C from the outside. Tighten the bolts on each side (Fig. 1).

**Step 6.** Place the welded U-brace on the front end of the cart panels (Fig. 3). Do not use bolts to attach the U-brace until Step 7.

**Step 7.** Place an Aluminum Angle inside each corner of the U-brace with the cut of each angle sloping inward as shown in Fig. 3. From the outside, align the top and bottom holes in the U-brace with the holes of the Side Panels and Aluminum Angles. Insert two 1 $\frac{3}{8}$ "





clamp. Fully tighten all bolts and nuts on the legs, leg brace, and handle.

### Installing the Wheels

**Step 14.** Put one end of the axle through a wheel hub (Fig. 8). Insert a cotter pin through the small hole in the axle that is located on the outside of the wheel hub. Use pliers to spread the ends of the cotter pin apart to form a "Y" around the end of the axle.

Slide the second wheel onto the other end of the axle. Insert a cotter pin and spread the ends of the pin apart to form a "Y".

Position the axle on the bottom panel so that the wheels line up evenly on both sides. Fasten the axle to the bottom panel using the narrow axle clamps and two  $\frac{5}{8}$ " bolts per clamp (Fig. 8). Finally, turn the cart upright. The assembly is finished.

## Garden Cart Maintenance

- Protect your cart from harsh weather by storing it in a shed, garage, or under a tarp to extend the life of the plywood. Be sure to clean out debris with a broom and allow the cart to dry in sunlight.
- To keep the cart in proper working condition, tighten the nuts and bolts periodically.
- To extend the life of the plywood, repaint or stain it every two years. We recommend a non-toxic, natural stain that will not contaminate compost, soil or other garden materials you may carry in the cart.

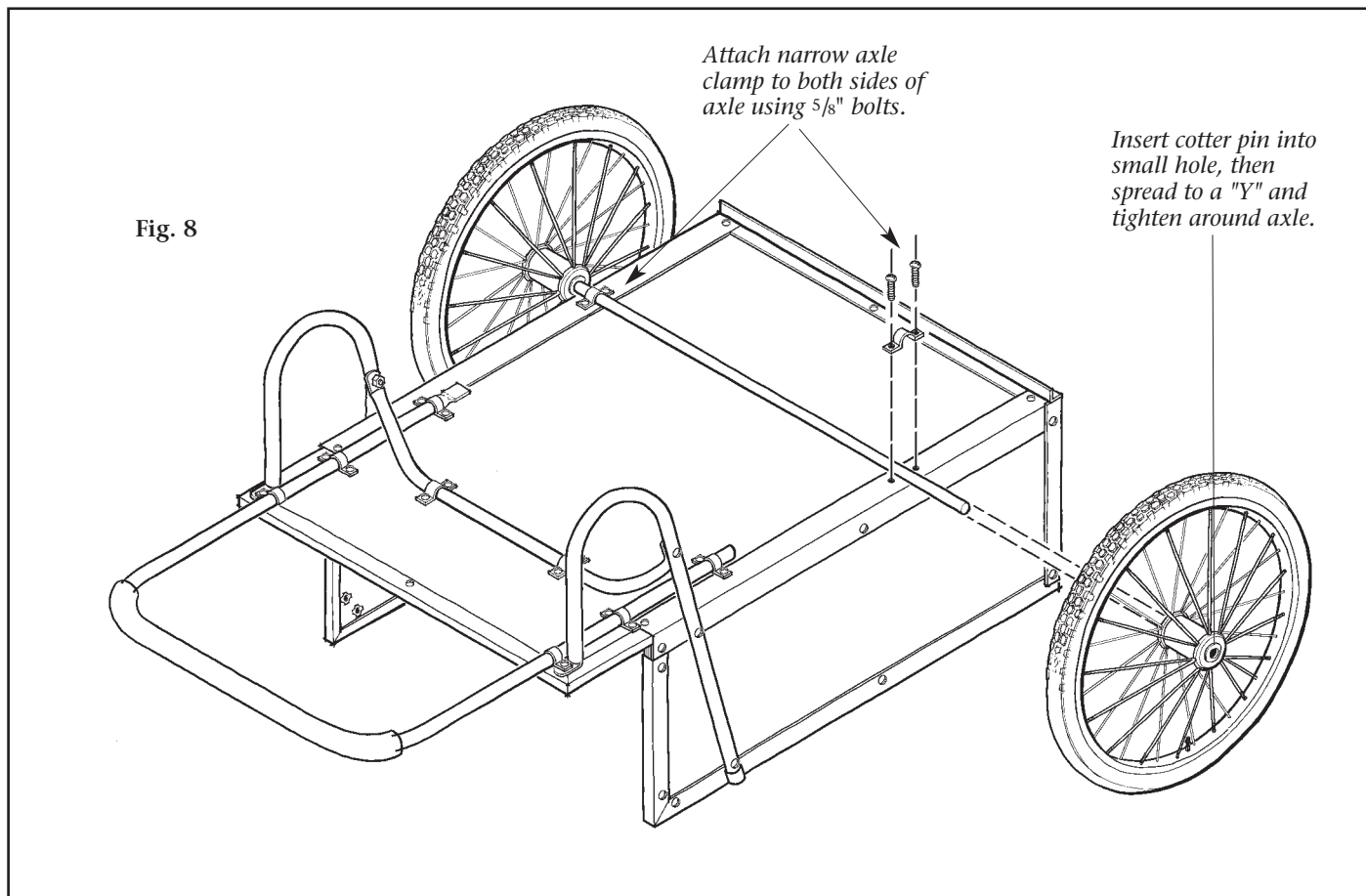


Fig. 8

128 Intervale Road, Burlington, Vermont 05401

PHONE ORDERS: 1-800-427-3363 CUSTOMER SERVICE: 800-876-5520 FAX: 800-551-6712

E-MAIL: [info@gardeners.com](mailto:info@gardeners.com) WEB: [www.gardeners.com](http://www.gardeners.com)